

Stacked Rotisseries

SCR-12 Twelve Spit Stacked

SCR-16 Sixteen Spit Stacked

Shown at right: SCR-16 with 16 angled spits.

Stacked Rotisseries combine popular rotisserie-style roasting in mobile, high-capacity units with the flexibility of separate cabinets and controls.

Description

High volume, twin cabinet electric rotisseries with programmable controls.

Configuration

- The SCR-12 consists of two SCR-6 countertop rotisseries.
- The SCR-16 consists of two SCR-8 countertop rotisseries.

Single cabinet rotisseries are stacked using a special stacking kit shipped with units. Heavy duty locking caster set or adjustable legs are available for the lower unit.

NEW! SCR-16 only



- Solid back option.
- Lower 3 in. (76mm) casters standard.
- Low-profile outboard mounted casters available.

Main Features

- Digital electronic controls with 9 programmable cook cycles for each cabinet.
- LED panel with separate, simultaneous time and temperature displays.



- Spit rotation switch for easy loading.
- Large, attractive tempered glass doors, front and back (solid back, optional)
- Auto-stop rotation when doors open.
- THERMA-VEC® Even Heat Process combines infrared heating with gentle, cross-flow convection.
- Simple three-piece drive tube and rotor assembly.
- Drive assembly and drain pans are easily disassembled for quick clean-up.
- Easy-to-clean coated parts available separately.

Available options:

- Coated angled or piercing spits, or coated wire baskets
- Mirrored door glass (control side only)
- Coated parts
- Portable heat shield for customer side
- Adjustable legs or set of four heavy-duty casters, two locking
- Optional low-profile outboard mounted casters (SCR-16 only)
- Door handle and rotation switch on customer side

Accessories shipped with units:

SCR-12

4 Rotor Disks
12 Spits or Baskets
2 Drive Tubes
2 Food Probes
Stacking Kit #02664

SCR-16

4 Rotor Disks
16 Spits or Baskets
2 Drive Tubes
2 Food Probes
Stacking Kit #02665

Henny Penny Corporation

P.O. Box 60
Eaton, OH 45320

+1 937 456.8400
+1 937 456.8402 Fax

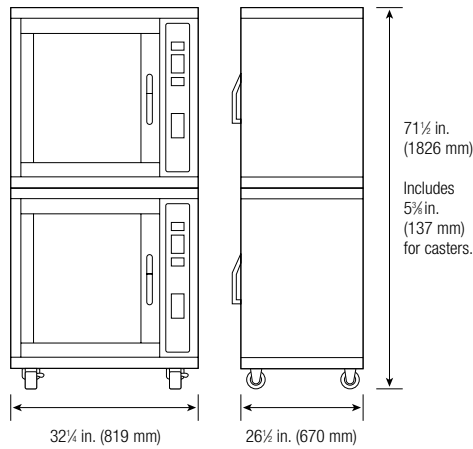
Toll free in USA
800 417.8417
800 417.8402 Fax

www.hennypenny.com

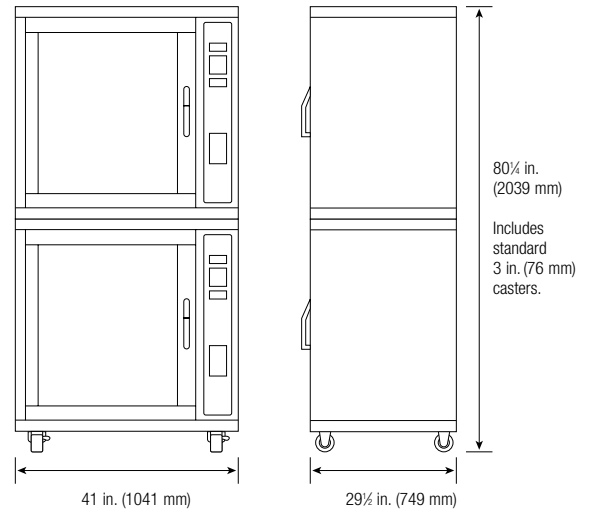
SCR-12 SCR-16 Specifications

Dimensions

SCR-12



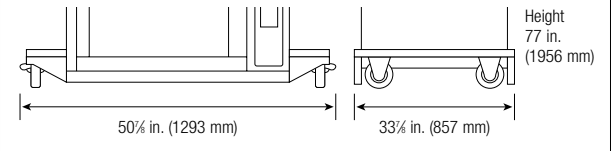
SCR-16



NOTE: Add 2¼ in. (57 mm) depth for each door handle.

NOTE: Lower height and extra width and depth for outboard caster mounting shown at right. Available on SCR-16 only.

Outboard caster mounting, SCR-16 only



Clearances

Back: 3 in. (76 mm) 2 in. (51 mm) for solid back
Side: 1 in. (25 mm)

Capacity

SCR-12

No. of spits	Type of spit	Whole chickens 2½ lbs. (1.1 kg)	
		Per spit	Total
12	Angled	3	36
12	Piercing	4	48
12	Basket	3	36

SCR-16

No. of spits	Type of spit	Whole chickens 2½ lbs. (1.1 kg)	
		Per spit	Total
16	Angled	4	64
16	Piercing	5	80
16	Basket	4	64

Lighting

(8) 150w tungsten halogen lamps

(8) 150w tungsten halogen lamps

Shipping Weight

762 lbs. (346 kg)

942 lbs. (428 kg)

Listings

UL, UL Sanitation, CUL, CE

UL, UL Sanitation, CUL, CE

Electrical

Each cabinet wired separately with separate power cord. Electrical specifications below are per cabinet.

Voltage	Phase	Cycle/Hz	KW	Amps
208	1 or 3	50 or 60	6.8	32.7 or 22.8
240	1 or 3	50 or 60	6.8	28.3 or 19.7
400	3	50 or 60	6.8	13.5
All international voltages available				
Plug type:	1 phase units: NEMA 6-50P		3 phase units: NEMA 15-30P	
Units wired for international electrical specifications do not include power cord or plug.				

Voltage	Phase	Cycle/Hz	KW	Amps
208	1 or 3	50 or 60	11.1	50.5 or 33.6
240	1 or 3	50 or 60	11.1	46.0 or 29.1
400	3	50 or 60	11.1	19.3
All international voltages available				
Plug type:	3 phase units: NEMA 15-50P			
Units wired for international electrical specifications do not include power cord or plug.				

Specifications subject to change without notice

Order from:

Manufactured by:

Henny Penny Corporation
P.O. Box 60
Eaton, OH 45320