

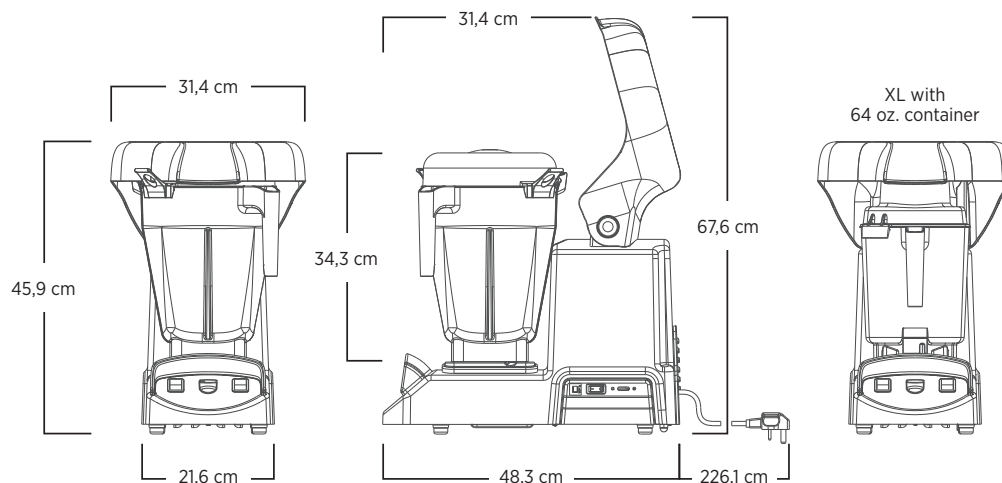


### *Serve More With A Single Blend*

Maximize your kitchen's possibilities with the largest capacity, countertop blender. Blend up to 24 (240 ml) servings at once! The XL is engineered to reduce prep-time, improve staff efficiency, and expand your menu capabilities.

### *Smart Product Design*

- Powerful 4,2 peak output HP motor allows heavy blending from delicate tomatoes to dense meat
- Large 5,6 L container provides extra blending capacity for both hot and cold ingredients
- Pulse function and variable speed control allow for flexibility and creativity
- Low countertop profile and removable lid plug make it easy to add ingredients while blending



Where Applicable



Includes Vitamix XL with tamper and 2 containers (5,6 L and 2,0 L) complete with blade assembly and lid.  
For more complete warranty terms and conditions, please contact your authorized Vitamix distributor.

### Product Specifications

Motor	≈4.2 peak output horsepower motor
Electrical	220-240 V, 50-60 Hz, 7,5 A
Net Weight	20,64 kg
Dimensions	45,9 x 21,6 x 48,3 cm (HxWxD)

### Also Available

XL Variable Speed with 5,6 L container complete with XL blade assembly, lid, and tamper

XL Programs with 5,6 L container complete with XL blade assembly, lid, and tamper

5,6 L container (with blade assembly and lid)

2,0 L container (with blade assembly and lid)

Not all products are offered in all countries. Products and item numbers may differ in your local market.  
Please contact your Vitamix Account Representative for product availability and item details.

### Contact Information

#### Commercial Sales

Mon - Fri 8am-6pm (EST)  
+1 440.782.2450  
commercial@vitamix.com

#### Technical Support

Mon - Fri 8am-6pm (EST)  
+1 440.782.2450  
commercialts@vitamix.com



vitamix.com

For more information, please contact an authorized Vitamix distributor, or Vitamix international customer service.