

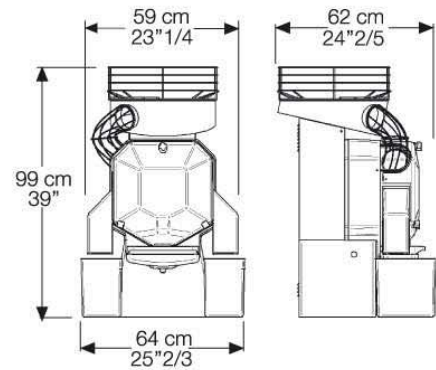
Zumex Speed

Zumex Speed D

- **Robust** design.
- Available in **standard start/stop and Digital (D)** versions with a counter of units processed and a programmer to squeeze the number of oranges that is decided at each moment.
- Very fast.

Demand for orange juice	Low	Medium	High
Perfect for	All kinds of Foodservice business with high demands of juice.		
Available accessories*	Squeezing Kit D-65; Zumex Display.		

* see description on page 45



Detail Zumex Speed D



TECHNICAL CHARACTERISTICS ZUMEX SPEED / ZUMEX SPEED D								
FRUITS PER MINUTE	FEEDER CAPACITY	FRUIT DIAMETER	DIMENSIONS	NET WEIGHT	CONSUMPTION	VOLTAGE	P. ANTIHUMIDITY	SECURITY
32 oranges/min	33 lb 15 kg	Up to 81 mm	38" x 23" x 24" 99 x 64 x 62 cm	132 lb 60 kg.	0,3 kw	230-240 V 50-60 Hz / 115 V 60 Hz	IP-X4	Double magnetic safety detector. Electronic motor protection